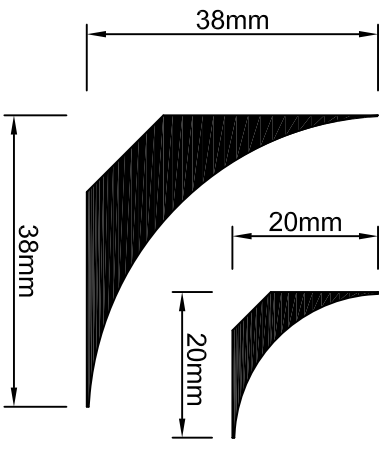


COVER FORMER 38R

COVER FORMER 20R



PROJECT:		DRAWING		REVISION	
		D7/03/05		A	
TITLE:		DRAWN BY		REVISION BY	
ALTRO FLOORING - SELF-COVERED AND WELDED TO WALL MOUNTED PVC SHEET		PG		--	
		DATE		SCALE	
		2012		NTS	

ALTRRO

the future is safer with althro

Althro Limited, Works Road, Letchworth Garden City, Hertfordshire SG6 1NW,
 tel: 01462 707604 fax: 01462 707504 e-mail: enquiries@althro.com www.althro.com